

1

2

3

4

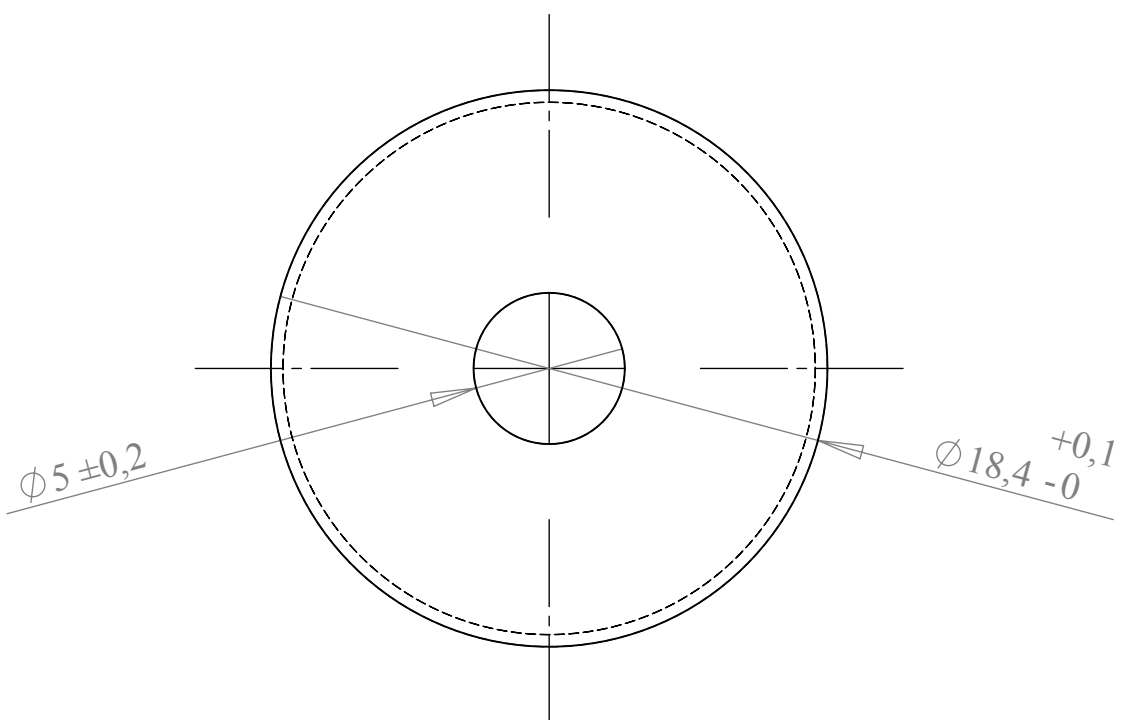
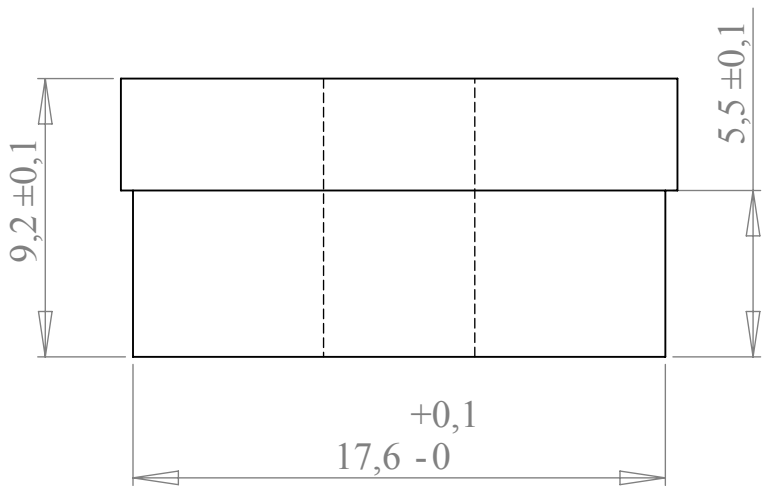
A

B

C

D

E



UNLESS OTHERWISE SPECIFIED: DIMENSIONS ARE IN MILLIMETERS SURFACE FINISH: TOLERANCES: LINEAR: ANGULAR:		FINISH:		DEBUR AND BREAK SHARP EDGES		DO NOT SCALE DRAWING		REVISION	
DRAWN		SIGNATURE		DATE		TITLE:			
CHKD									
APPV'D									
MFG									
Q.A						MATERIAL:		DWG NO. Сателит_теплоотвод	
						WEIGHT:		SCALE:4:1 SHEET 1 OF 1	

A4